

KENWOOD

KDC-X859
KDC-MP919
KDC-X759

CD-RECEIVER

INSTRUCTION MANUAL

KENWOOD CORPORATION



Take the time to read through this instruction manual.

Familiarity with installation and operation procedures will help you obtain the best performance from your new CD-receiver.

For your records

Record the serial number, found on the back of the unit, in the spaces designated on the warranty card, and in the space provided below. Refer to the model and serial numbers whenever you call upon your KENWOOD dealer for information or service on the product.

Model KDC-X859, KDC-MP919, KDC-X759 Serial number _____

© B64-2215-00 (KW)

Contents

Safety precautions	4	RDS features	21	Selectable Illumination
About RDS	5	Radio Text Scroll		Switching Display Type
Notes on playing MP3	6	PTY (Program Type)		Switching Upper and Lower Part Display
About CDs	8	Program Type preset		Icon/Spectrum analyzer Select
General features	9	Registration of a station as a PTY		Font Type Select
Power		CD/MP3/External disc control		Font Color Select
Selecting the Source		features	24	Dimmer
Volume		Playing CD & MP3		OFF Wait Time Setting
System Q		Playing External Disc		System Q
Audio Control		Fast Forwarding and Reversing		Built-in Amp Mute Setting
Speaker & Woofer Setting		Track Search		Dual Zone System
Switching Full Screen Display		Album Search		B.M.S. (Bass Management System)
Switching the Standby Display		Direct Track Search		B.M.S. Frequency Offset
Switching Upper and Lower Part Display		Direct Album Search		Auto Memory Entry
Station/Disc Naming (SNPS/DNPS)		Track Repeat		Traffic Information
Non-fading Output		Album Repeat		CRSC (Clean Reception System Circuit)
Faceplate Angle Adjustment		Track/Album Repeat		Auxiliary Input Display Setting & Station/Disc Naming
Theft Deterrent Faceplate		Track Scan		Text Scroll
Hiding the Control Panel		Random Play		Basic Operations of remote
Tuner features	18	Magazine Random Play		Accessories
Tuning Mode		Album Select		Installation Procedure
Tuning		Text/Title Scroll		Connecting Wires
Direct Access Tuning		DNPP (Disc Name Preset Play)		Terminals
Station Preset Memory		Menu system	28	Installation
Auto Memory Entry		Menu System		Removing the Unit
Preset Tuning		Security Code		Locking the faceplate
SNPP (Station Name Preset Play)		Touch Sensor Tone		to the unit
		Manual Clock Adjustment		Troubleshooting Guide
		Date Adjustment		Specifications
		Date Mode		
		Synchronize Clock		

▲ Warning

▲ CAUTION

Use of controls or adjustments or performance of procedures other than those specified herein may result in hazardous radiation exposure.

In compliance with Federal Regulations, following are reproductions of labels on, or inside the product relating to laser product safety.

KENWOOD CORPORATION
2967-3, ISHIKAWA-CHO,
HACHIOJI-SHI
TOKYO, JAPAN

KENWOOD CORP. CERTIFIES THIS EQUIPMENT
CONFORMS TO DHHS REGULATIONS NO.21 CFR
1040. 10, CHAPTER 1, SUBCHAPTER J.

Location : Bottom Panel

FCC WARNING

This equipment may generate or use radio frequency energy. Changes or modifications to this equipment may cause harmful interference unless the modifications are expressly approved in the instruction manual. The user could lose the authority to operate this equipment if an unauthorized change or modification is made.

NOTE

This equipment has been tested and found to comply with the limits for a Class B digital device, pursuant to Part 15 of the FCC Rules. These limits are designed to provide reasonable protection against harmful interference in a residential installation. This equipment may cause harmful interference to radio communications, if it is not installed and used in accordance with the instructions.

However, there is no guarantee that interference will not occur in a particular installation. If this equipment does cause harmful interference to radio or television reception, which can be determined by turning the equipment off and on, the user is encouraged to try to correct the interference by one or more of the following measures:

- Reorient or relocate the receiving antenna.
- Increase the separation between the equipment and receiver.
- Connect the equipment into an outlet on a circuit different from that to which the receiver is connected.
- Consult the dealer or an experienced radio/TV technician for help.

NOTE

This Class B digital apparatus complies with Canadian ICES-003.

Safety precautions

▲WARNING

To prevent injury or fire, take the following precautions:

- Insert the unit all the way in until it is fully locked in place. Otherwise it may fall out of place when jolted.
- When extending the ignition, battery, or ground wires, make sure to use automotive-grade wires or other wires with a 0.75mm² (AWG18) or more to prevent wire deterioration and damage to the wire coating.
- To prevent a short circuit, never put or leave any metallic objects (such as coins or metal tools) inside the unit.
- If the unit starts to emit smoke or strange smells, turn off the power immediately and consult your Kenwood dealer.
- Make sure not to get your fingers caught between the faceplate and the unit.
- Be careful not to drop the unit or subject it to strong shock.
The unit may break or crack because it contains glass parts.

▲CAUTION

To prevent damage to the machine, take the following precautions:

- Make sure to ground the unit to a negative 12V DC power supply.
- Do not open the top or bottom covers of the unit.
- Do not install the unit in a spot exposed to direct sunlight or excessive heat or humidity. Also avoid places with too much dust or the possibility of water splashing.
- Do not subject the faceplate to excessive shock, as it is a piece of precision equipment.
- When replacing a fuse, only use a new one with the prescribed rating. Using a fuse with the wrong rating may cause your unit to malfunction.
- To prevent a short circuit when replacing a fuse, first disconnect the wiring harness.
- Do not place any object between the faceplate and the unit.
- Do not use your own screws. Use only the screws provided. If you use the wrong screws, you could damage the unit.
- Do not apply excessive force to the moving faceplate. Doing so will cause damage or malfunction.
- Do not apply excessive force to the open faceplate or place objects on it. Doing so will cause damage or breakdown.

IMPORTANT INFORMATION

About the disc changer/CD player to be connected:

To connect a disc changer having the "O-N" switch to this unit, set the "O-N" switch to "N". When you connect a model with no "O-N" switch, the converter cord CA-DS100 available as an option may be required. For details, consult your Kenwood dealer.

A disc changer doesn't work when it is connected without using these options. If a model with no "O-N" switch is connected, some unavailable functions and information that cannot be displayed are generated. Note that none of the KDC-C100, KDC-C302, C205, C705, and non-Kenwood CD changers can be connected.



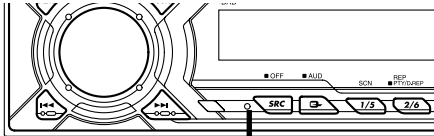
You can damage both your unit and the CD changer if you connect them incorrectly.

Do Not Load 3-in. CDs in the CD slot

If you try to load a 3 in. CD with its adapter into the unit, the adapter might separate from the CD and damage the unit.

NOTE

- If you experience problems during installation, consult your Kenwood dealer.
- If the unit fails to operate properly, press the Reset button. The unit returns to factory settings when the Reset button is pressed. If the unit still fails to operate properly after the Reset button has been pressed, contact your local KENWOOD dealer for assistance.
- Press the reset button if the disc auto changer fails to operate correctly. Normal operation should be restored.



Reset button

- We recommend the use of the Security Code function (see p. 30) to prevent theft.
- The illustrations of the display and the panel appearing in this manual are examples used to explain more clearly how the controls are used. Therefore, what appears on the display in the illustrations may differ from what appears on the display on the actual equipment, and some of the illustrations on the display may represent something impossible in actual operation.

Lens Fogging

Right after you turn on the car heater in cold weather, dew or condensation may form on the lens in the CD player of the unit. Called lens fogging, CDs may be impossible to play. In such a situation, remove the disc and wait for the condensation to evaporate. If the unit still does not operate normally after a while, consult your Kenwood dealer.

Cleaning the Faceplate Terminals

If the terminals on the unit or faceplate get dirty, wipe them with a dry, soft cloth.

Cleaning the Unit

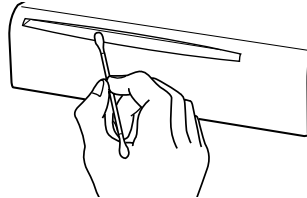
If the faceplate of this unit is stained, wipe it with a dry soft cloth such as a silicon cloth. If the faceplate is stained badly, wipe the stain off with a cloth moistened with neutral cleaner, then wipe neutral detergent off.



Applying spray cleaner directly to the unit may affect its mechanical parts. Wiping the faceplate with a hard cloth or using a volatile liquid such as thinner or alcohol may scratch the surface or erase characters.

Cleaning the CD Slot

As dust tends to accumulate in the CD slot, clean it every once in a while. Your CDs can get scratched if you put them in a dusty CD slot.



About RDS (KDC-X859)

RDS (Radio Data System)

RDS is a service used by radio stations to transmit data outside normal radio broadcast signals.

When an RDS station is received, you can immediately find out what kind of data is being transmitted by looking at the program service name, which appears in the display after the frequency.

The RDS indicator turns on when an RDS station is being received.

Alarm

When an emergency transmission (announcing disasters, etc.) is made, the current function will be interrupted to allow the warning to be received under the following conditions: during tuner reception, or when the Traffic Information function is turned on.

Notes on playing MP3(KDC-X859/ MP919)

This unit can play MP3(MPEG1, 2, 2.5 Audio Layer 3). Note, however, that the MP3 recording media and formats acceptable are limited. When writing MP3, pay attention to the following restrictions.

Acceptable media

The MP3 recording media acceptable to this unit are CD-ROM, CD-R, and CD-RW.

When using CD-RW, do full format not quick format to prevent malfunction.

Acceptable medium formats

The following formats are available for the media used in this unit. The maximum number of characters used for file name including the delimiter (".") and three-character extension are indicated in parentheses.

- ISO 9660 Level 1 (12 characters)
- ISO 9660 Level 2 (31 characters)
- Joliet (64 characters)
- Romeo (128 characters)

Up to 200 characters can be displayed in the long file name format.

For a list of available characters, see the instruction manual of the writing software and the section Entering file and folder names below.

The media reproducible on this unit has the following limitations:

- Maximum number of directory levels: 8
- Maximum number of files per folder: 255
- Maximum number of characters for folder name: 64
- Maximum number of folders: 50

MP3 written in the formats other than the above may not be successfully played and their file names or folder names are not properly displayed.

Settings for your MP3 encoder and CD writer

When you use your CD writer to record MP3 up to the maximum disc capacity, disable additional writing. For recording on an empty disc up to the maximum capacity at once, check Disc at Once.

Entering ID3 tag

The Displayable ID3 tag is ID3 version 1.x.

For the character code, refer to the List of Codes.

0	0	1	2	3	4	5	6	7	8	9	A	B	C	D	E	F	
				0	@	P	^	^	^	^	*	*	A	D	a	d	
1				1	A	Q	a	q			i	±	A	N	a	n	
2				"	B	R	b	r			c	²	A	O	a	o	
3				#	C	S	c	s			£	³	A	O	a	o	
4				\$	4	D	d	t			¤	⁴	A	O	a	o	
5				%	5	E	U	e	u		¥	⁵	A	O	a	o	
6				&	6	F	V	f	v		¦	⁶	A	O	a	o	
7				^	7	G	W	g	w		§	⁷	C	X	c	~	
8				(8	H	X	h	x		¨	⁸	E	O	e	o	
9)	9	I	Y	i	y		©	⁹	E	U	e	u	
A				.	:	J	Z	j	z		±	±	E	U	e	u	
B				+	:	K	[k	{		«	»	E	U	e	u	
C				.	<	L	\	l			~	¹	¼	I	U	i	ü
D				.	<	M]	m	}		®	½	I	Y	i	ý	
E				.	>	N	^	n	~		®	¾	I	P	i	p	
F				/	?	O	_	o	~		™	¿	I	B	I	ÿ	

Entering file and folder names

The code list characters are the only file names and folder names that can be entered and displayed.

If you use any other character for entry, the file and folder names are not displayed correctly. They may neither be displayed correctly depending on the CD writer used. The unit recognizes and plays only those MP3 which have the MP3 extension (.MP3).



A file with a name entered with characters not on the code list may not play correctly.

Writing files into a medium

When a medium containing MP3 data is loaded, the unit checks all the data on the medium. If the medium contains a lot of folders or non-MP3 files, therefore, it takes a long time until the unit starts playing MP3.

In addition, it may take time for the unit to move to the next MP3 file or a Track Search or Album Search may not be performed smoothly.



Loading such a medium may produce loud noise to damage the speakers.

- Do not attempt to play a medium containing a non-MP3 file with the MP3 extension.

The unit mistakes non-MP3 files for MP3 data as long as they have the MP3 extension.

- Do not attempt to play a medium containing non MP3.

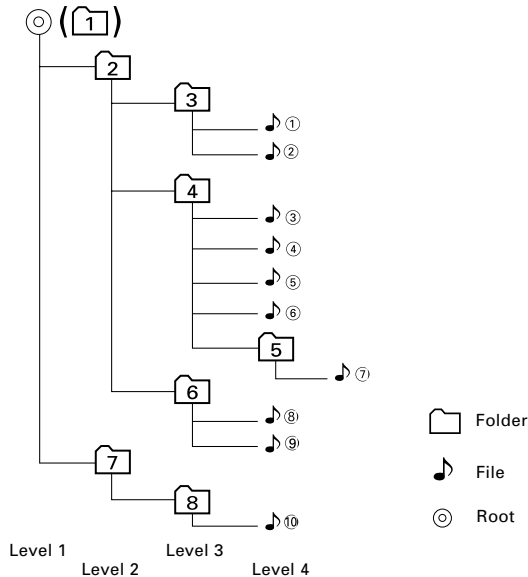
MP3 playing order

When selected for play, Album Search, Track Search, or for Album Select, files and folders are accessed in the order in which they were written by the CD writer.

Because of this, the order in which they are expected to be played may not match the order in which they are actually played. You may be able to set the order in which MP3 are to be played by writing them onto a medium such as a CD-R with their file names beginning with play sequence numbers such as "01" to "99", depending on your CD writer.

For example, a medium with the following folder/ file hierarchy is subject to Album Search, Track Search, or Album Select as shown below.

Example of a medium's folder/file hierarchy



When a Track Search is executed with file 4 being played ...

Current file number	Operation of the button	
	◀◀ Button	▶▶ Button
4	Beginning of file 4 → 3	5 → 6

When an Album Search is executed with file 4 being played ...

Current folder number	Operation of the button	
	AM Button	FM Button
4	3 → 2 → 1 → 8 ...	5 → 6 → 7 → 8 → 1 ...

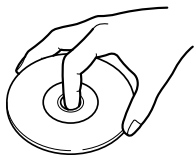
When Album Select is selected with file 4 being played to move from folder to folder ...

Current folder number	Operation of the button			
	◀◀ Button	▶▶ Button	AM Button	FM Button
4	3	6	2	5

About CDs

Handling CDs

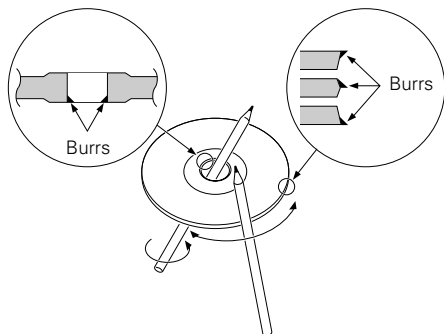
- Don't touch the recording surface of the CD.



- CD-R and CD-RW are easier to damage than a normal music CD. Use a CD-R or a CD-RW after reading the caution items on the package etc.
- Don't stick tape etc. on the CD. Also, don't use a CD with tape stuck on it.

When using a new CD

If the CD center hole or outside rim has burrs, use it after removing them with a ball pen etc.

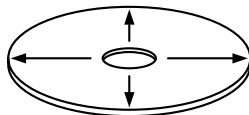


CD accessories

Don't use disc type accessories.

CD cleaning

Clean from the center of the disc and move outward.

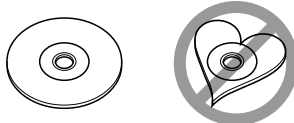



Removing CDs

When removing CDs from this unit pull them out horizontally.

CDs that can't be used

- CDs that aren't round can't be used.

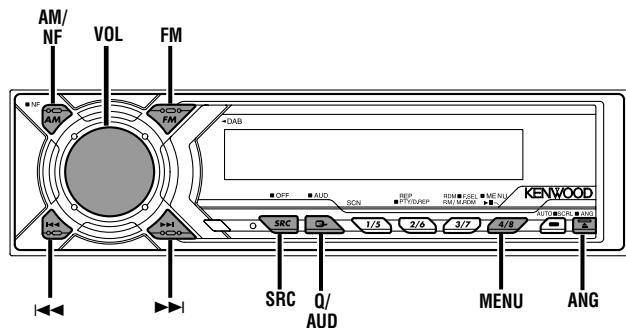


- CDs with coloring on the recording surface or that are dirty can't be used.
 - Don't use CDs without disc mark
- 
- A CD-R or CD-RW that hasn't been finalized can't be played. (For the finalization process refer to your CD-R/CD-RW writing software, and your CD-R/CD-RW recorder instruction manual.)

CD storage

- Don't place them in direct sunlight (On the seat or dashboard etc.) and where the temperature is high.
- Store CDs in their cases.

General features

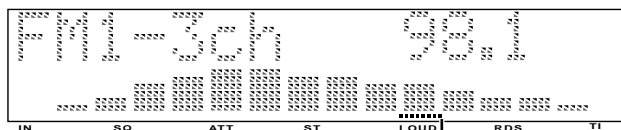


KDC-MP919/ KDC-X759



LOUD indicator

KDC-X859



LOUD indicator

Power

Turning ON the Power

Turn the vehicle ignition ON.

The faceplate reverses and control panel is displayed.

Turning OFF the Power

Turn the vehicle ignition OFF.

When the set time for removing the faceplate (page 17) lapses, the faceplate reverses and the control panel is hidden.



Do not apply force to the faceplate during operation. It can cause damage.




When the power is ON, the <Security Code> (page 30) is displayed as "CODE ON" or "CODE OFF".

General features

Selecting the Source

Press the [SRC] button.

Source required	Display
Tuner	"TUNER"
CD	"COMPACT DISC"/"CD"
External disc	"DISC-CH"/"DISC"
Auxiliary input	"AUX"
Standby (Illumination only mode)	"ALL OFF"

 For Auxiliary input one of the below optional accessories is necessary.

- KCA-S210A
- CA-C1AX
- CD changer with an Auxiliary input function installed.

Volume

Increasing Volume

Turn the [VOL] knob clockwise.

Decreasing Volume

Turn the [VOL] knob counterclockwise.

System Q

You can recall the best sound setting preset for different types of the music.

1 Select the source to set


Press the [SRC] button.

2 Select the Sound type

Press the [Q] button.

Each time the button is pressed the sound setting switches.

Sound setting	Display
Flat	"FLAT"
User memory	"User Preset"
Rock	"ROCK"
Pops	"POPS"
Easy	"EASY"
Top 40	"TOP 40"
Jazz	"JAZZ"

-  • User memory: The values set on the <Audio control> (page 10).
• Each setting value is changed with the <Speaker setting> (page 12).

First, select the speaker type with the Speaker setting.

Audio Control

1 Select the source for adjustment

Press the [SRC] button.

2 Enter Audio Control mode

Press the [AUD] button for at least 1 second.

3 Select the Audio item for adjustment

Press the [FM] or [AM] button.

Each time the button is pressed the items that can be adjusted switch as shown below.

4 Adjust the Audio item

Press the [◀◀] or [▶▶] button.

Adjustment Item	Display	Range
Bass Center Frequency	"Bass FRQ"	60/70/80/100 or 150 Hz
Bass level	"Bass"	-8 — +8
Bass Q Factor	"Bass Q"	1.00/1.25/1.50/2.00
Bass Extend	"Bass EXT"	ON/OFF
Middle Center Frequency	"MID FRQ"	0.5/1.0/1.5/2.0 kHz
Middle level	"MID"	-8 — +8
Middle Q Factor	"Middle Q"	1.0/2.0
Treble Center Frequency	"TRE FRQ"	10.0/12.5/15.0/17.5 kHz
Treble level	"TRE"	-8 — +8
Balance	"Balance"	Left 15 — Right 15
Fader	"Fader"	Rear 15 — Front 15
Non-Fading level	"NF Level"	-15 — +15
Front High Pass Filter	"HPF Front"	Through/40/60/80/100/120/150/180/220 Hz
Rear High Pass Filter	"HPF Rear"	Through/40/60/80/100/120/150/180/220 Hz
Non-Fading Low Pass Filter	"LPF NF"	50/80/120/Through Hz
Non-Fading Phase	"NF Phase"	Normal (0°)/Reverse (180°)
Volume offset	"Volume Offset"	-8 — ±0
Loudness	"LOUD"	ON/OFF



- According to the Bass Q Factor setting value, the frequencies that can be set in Bass Center Frequency change as shown below.

Bass Q Factor	Bass Center Frequency
1.00/1.25/1.50	60/70/80/100
2.00	60/70/80/150

- When the bass extend is set to ON, low frequency response is extended by 20%.
- Volume offset: Each source's volume can be set as a difference from the basic volume.
- Loudness: Compensating for low and high tones during low volume.
(KDC-MP919/X759) The graphic is displayed when Loudness is ON, and is switched OFF when Loudness is OFF.

5 Exit Audio Control mode

Press the [AUD] button.

General features

Speaker & Woofer Setting

Speaker setting allows the System Q settings to be fine-tuned according to the type of speakers.

Woofer setting allows for Network configuration according to the type of subwoofers.

1 Enter Standby

Press the [SRC] button.

Select the "ALL OFF" display.

2 Enter Speaker & Woofer Setting mode

Press the [Q] button.

"Speaker Setting" is displayed.

3 Select the Setting mode

Press the [FM] or [AM] button.

Each time the button is pressed it switches between Speaker setting mode and Woofer setting mode.

4 Select the Speaker and Woofer type

Press the [◀◀] or [▶▶] button.

Each time the button is pressed the setting switches as shown below.

In Speaker setting mode

Speaker type	Display
OFF	"OFF"
For 5 & 4 in. speaker	"5/4inch"
For 6 & 6x9 in. speaker	"6*9/6inch"
For the OEM speaker	"O.E.M."

In Woofer setting mode

Woofer type	Display
OFF	"Woofer OFF"
12 in. A type	"12in type A"
10 in. A type	"10in type A"
12 in. B type	"12in type B"
10 in. B type	"10in type B"
12 in. C type	"12in type C"
10 in. C type	"10in type C"
8 in. type	"8inch"
12 in. D type	"12in type D"
10 in. D type	"10in type D"

5 Exit Speaker & Woofer Setting mode

Press the [Q] button.

Switching Full Screen Display

Switching the Full screen display.

1 Enter Menu mode

Press the [MENU] button for at least 1 second.
"MENU" is displayed.

2 Select Display Control mode

Press the [FM] or [AM] button.
Select the "Display Mode Select"/"Disp Mode Select" display.

3 Enter Display Control mode

Press the [◀◀] or [▶▶] button for at least 1 second.

4 Switch the Full screen display

Press the [◀◀] or [▶▶] button.
Each time the button is pressed the display switches.

Information

Demonstration

Spectrum Analyzer 1

Spectrum Analyzer 2

Spectrum Analyzer 3

Graphic 1 (KDC-MP919/ X759)

Spectrum Analyzer 4 (KDC-X859)

Graphic 2 (KDC-MP919/ X759)

Spectrum Analyzer 5 (KDC-X859)

5 Exit Display Control mode

Press the [MENU] button.



Full Screen display can be selected when "Display Type C" is selected in <Switching Display Type> (page 32).

Switching the Standby Display

Switching the information displayed in Standby.

1 Enter Standby

Press the [SRC] button.
Select the "ALL OFF" display.

2 Enter Menu mode

Press the [MENU] button for at least 1 second.
"MENU" is displayed.

3 Select Display Control mode

Press the [FM] or [AM] button.
Select the "Display Mode Select"/"Disp Mode Select" display.

4 Enter Display Control mode

Press the [◀◀] or [▶▶] button for at least 1 second.

5 Switch the display

Press the [◀◀] or [▶▶] button.
Each time the button is pressed the display switches.

Information

Display

Demonstration

"DEMONSTRATION"

Date & Clock

"DATE"/"CLOCK"

Standby display

"ALL OFF"

6 Exit Display Control mode

Press the [MENU] button.



Demonstration can be selected when "Display Type A" or "Display Type C" is selected in <Switching Display Type> (page 32).

General features

Switching Upper and Lower Part Display

Switching the upper and lower part display.

1 Enter Menu mode

Press the [MENU] button for at least 1 second.

"MENU" is displayed.

2 Select Display Control mode

Press the [FM] or [AM] button.

Select the "Display Mode Select"/"Disp Mode Select" display.

3 Enter Display Control mode

Press the [◀◀] or [▶▶] button for at least 1 second.

4 Switch the Upper part display

Press the [FM] or [AM] button.

Switch the Lower part display

Press the [◀◀] or [▶▶] button.

Each time the button is pressed the display switches.

The Reference for the display content is after this operation's explanation.

5 Exit Display Control mode

Press the [MENU] button.



- The same information can't be displayed on the Upper part display and lower part display.
- The Upper part display and Lower part display switching can be selected when "Display Type A" is selected in <Switching Display Type> (page 32).
- When "Display Type B" is selected the Lower part display content is clock ON or OFF.

In Tuner source

Upper Part Display

Information	Display
Station name or Frequency	"BAND+ch+SNPS"
or Program Service name or Frequency (KDC-X859 only)	"BAND+ch+PS"
Radio text (KDC-X859 only)	"R-TEXT"
Frequency	"BAND+ch+FREQ"

Lower Part Display

Information	Display
Spectrum Analyzer (KDC-MP919/ X759)	"S/ANA"
Spectrum Analyzer & Graphic (KDC-X859)	"S/ANA+GRAPHIC"
Spectrum Analyzer & Clock (KDC-X859 only)	"S/ANA+CLOCK"
Spectrum Analyzer (KDC-X859 only)	"S/ANA"
Radio text (KDC-X859 only)	"R-TEXT"
Date	"DATE"
Spectrum Analyzer & Clock (KDC-MP919/ X759)	"S/ANA+CLOCK"
Clock & Graphic (KDC-X859)	"CLOCK+GRAPHIC"



For Station name registration refer to <Station/Disc Naming (SNPS/DNPS)> (page 16).


In CD/ External disc source

Upper Part Display

Information	Display
Track Time	"P-Time"
Disc name	"DNPS"
Disc title	"DISC-TITLE"
Track title	"TRACK-TITLE"


Lower Part Display

Information	Display
Spectrum Analyzer (KDC-MP919/ X759)	"S/ANA"
Spectrum Analyzer & Graphic (KDC-X859)	"S/ANA+GRAPHIC"
Spectrum Analyzer & Clock (KDC-X859 only)	"S/ANA+CLOCK"
Spectrum Analyzer (KDC-X859 only)	"S/ANA"
Track Title	"TRACK-TITLE"
Disc Title	"DISC-TITLE"
Disc name	"DNPS"
Date	"DATE"
Spectrum Analyzer & Clock (KDC-MP919/ X759)	"S/ANA+CLOCK"
Graphic & Clock (KDC-X859)	"CLOCK+GRAPHIC"

 For Disc name registration refer to <Station/Disc Naming (SNPS/DNPS)> (page 16).

Lower Part Display

Information	Display
Spectrum Analyzer (KDC-MP919)	"S/ANA"
Spectrum Analyzer & Graphic (KDC-X859)	"S/ANA+GRAPHIC"
Spectrum Analyzer & Clock (KDC-X859 only)	"S/ANA+CLOCK"
Spectrum Analyzer (KDC-X859 only)	"S/ANA"
Album name & Artist name	"ALBUM/ARTIST"
Song title & Artist name	"TITLE/ARTIST"
File name	"FILE NAME"
Folder name	"FOLDER NAME"
Disc name	"DNPS"
Date	"DATE"
Spectrum Analyzer & Clock (KDC-MP919)	"S/ANA+CLOCK"
Clock & Graphic (KDC-X859)	"CLOCK+GRAPHIC"

 For Disc name registration refer to <Station/Disc Naming (SNPS/DNPS)> (page 16).

Function of the KDC-X859/KDC-MP919

In MP3 source


Upper Part Display

Information	Display
Track Time	"P-Time"
Disc name	"DNPS"
Folder name	"FOLDER NAME"
File name	"FILE NAME"
Song title & Artist name	"TITLE/ARTIST"
Album name & Artist name	"ALBUM/ARTIST"

In Auxiliary input source

Lower Part Display

Information	Display
Spectrum Analyzer (KDC-MP919/ X759)	"S/ANA"
Spectrum Analyzer & Graphic (KDC-X859)	"S/ANA+GRAPHIC"
Spectrum Analyzer & Clock (KDC-X859 only)	"S/ANA+CLOCK"
Spectrum Analyzer (KDC-X859 only)	"S/ANA"
Album name & Artist name	"ALBUM/ARTIST"
Date	"DATE"
Spectrum Analyzer & Clock (KDC-MP919/ X759)	"S/ANA+CLOCK"
Graphic & Clock (KDC-X859)	"CLOCK+GRAPHIC"


 The Auxiliary input name is always displayed on the Upper part display.

General features

Station/Disc Naming (SNPS/DNPS)

Attaching a title to a Station or CD.

1 Receive/play the station/disc you want to attach a title to

 A title can't be attached to a MD.

2 Enter Menu mode

Press the [MENU] button for at least 1 second.
"MENU" is displayed.

3 Select Name set mode

Press the [FM] or [AM] button.
Select the "Name Set" display.

4 Enter Name set mode

Press the [◀◀] or [▶▶] button for at least 1 second.

5 Move the cursor to the enter character position

Press the [◀◀] or [▶▶] button.

6 Select the character type

Press the [▶II] button.

Each time the button is pressed the character typed switches as shown below.

Character type

Alphabet upper case

Alphabet lower case

Numbers and symbols

Special characters (Accent characters)

7 Select the characters

Press the [FM] or [AM] button.



Characters can be entered by using a remote with number buttons.
Example: If "DANCE" is entered.

Character	Button	#Times pressed
"D"	[#3]	1
"A"	[#2]	1
"N"	[#6]	2
"C"	[#2]	3
"E"	[#3]	2

8 Repeat steps 5 through 7 and enter the name.

9 Exit name set mode

Press the [MENU] button for at least 1 second.



- When operation stops for 10 seconds the name at that time is registered, and Name Set mode closes.
- Memory numbers
 - FM: 32 stations
 - AM: 16 stations
 - Internal CD player: 30 discs
 - External CD changer/ player: Varies according to the CD changer/ player. Refer to the CD changer/ player manual.
- The title of station/CD can be changed by the same operation used to name it.

Non-fading Output

Turning the Non-fading output ON or OFF.


Press the [NF] button for at least 1 second.

Each time the button is pressed Non-fading output switches ON or OFF.

When it's ON, "NF ON" is displayed.

Faceplate Angle Adjustment

Press the [ANG] button for at least 1 second.

 Do not apply excessive force to the faceplate. It can cause damage.

Theft Deterrent Faceplate

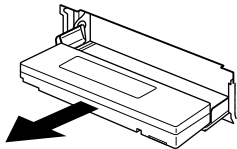
The faceplate of the unit can be detached and taken with you, helping to deter theft.

Removing the Faceplate

1 Turn the ignition OFF or press the [SRC] button for at least 1 second.

The power turns OFF and the faceplate slides open.

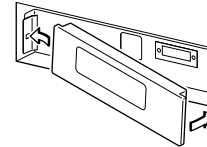
2 Holding the center part of the faceplate pull it out.



- When the faceplate is kept remove open, according to the <OFF Wait Time Setting> (page 33) setting, the faceplate is hidden and the power turns OFF.
- The faceplate is a precision piece of equipment and can be damaged by shocks or jolts. For that reason, keep the faceplate in its special storage case while detached.
- Do not expose the faceplate or its storage case to direct sunlight or excessive heat or humidity. Also avoid places with too much dust or the possibility of water splashing.

Reattaching the Faceplate

1 Set the left side of the faceplate in the faceplate bracket.



2 Press the right side of the faceplate until it locks.

Hiding the Control Panel

Prevents tampering with the unit while your car is being serviced etc.

Hiding the control panel

Press the [SRC] button for at least 1 second.

The faceplate slides open.

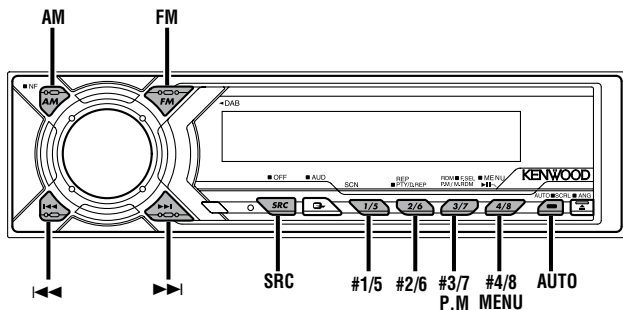
When the time set in <OFF Wait Time Setting> (page 33) lapses, the faceplate is hidden and the power turns OFF.

Showing the control panel

Press the left part at the upper side of the faceplate.

The faceplate will open and show the control panel.

Tuner features



KDC-MP919/ KDC-X759

Preset station number

Frequency display



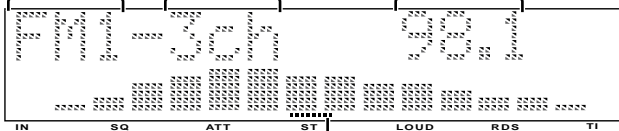
Band display ST indicator

KDC-X859

Band display

Preset station number

Frequency display



ST indicator

Tuning Mode

Choose the tuning mode.

Press the [AUTO] button.

Each time the button is pressed the Tuning mode switches as shown below.

Tuning mode	Display	Operation
Auto seek	"Auto1"	Automatic search for a station.
Preset station seek	"Auto2"	Search in order of the stations in the Preset memory.
Manual	"Manual"	Normal manual tuning control.

Tuning

Selecting the station.

1 Select tuner source

Press the [SRC] button.

Select the "TUNER" display.

2 Select the band

Press the [FM] or [AM] button.

Each time the [FM] button is pressed it switches between the FM1, FM2, and FM3 bands.

3 Tune up or down band

Press the [◀] or [▶] button.



During reception of stereo stations the "ST" indicator is ON.

Direct Access Tuning (Function of remote)

Entering the frequency and tuning.

1 Select the band

Press the [FM] or [AM] button.

2 Enter Direct Access Tuning mode

Press the [DIRECT] button on the remote.

"----" is displayed.

3 Enter the frequency

Press the number buttons on the remote.

Example:

<u>Desired frequency</u>	<u>Press button</u>
92.1 MHz (FM)	[#0], [#9], [#2], [#1]
810 kHz (AM)	[#0], [#8], [#1], [#0]

Canceling Direct Access Tuning

Press the [DIRECT] button on the remote.

4 Select the preset number

Press the [FM] or [AM] button.

5 Put the frequency in the memory

Press the [P.M] button for at least 2 seconds.

The preset number display blinks 1 time.

6 Repeating steps 3 to 5 and putting the desired broadcast station in the memory.

On each band, 1 station can be put in the memory on each [#1/5]

— [#4/8].

7 Exit Memory mode

Press the [P.M] button.

Station Preset Memory

Putting the station in the memory.

1 Select the band

Press the [FM] or [AM] button.

2 Enter Memory mode

Press the [P.M] button for at least 1 second.

"Preset Memory" is displayed.

3 Select the frequency to put in the memory

Press the [◀◀] or [▶▶] button.

Tuner features

Auto Memory Entry

Putting a station with good reception in the memory automatically.

1 Select the band for Auto Memory Entry

Press the [FM] or [AM] button.

2 Enter Menu mode

Press the [MENU] button for at least 1 second.

"MENU" is displayed.

3 Select the Auto Memory Entry mode

Press the [FM] or [AM] button.

Select the "Auto Memory"/"A-Memory" display.

4 Open Auto Memory Entry

Press the [◀◀] or [▶▶] button for at least 2 seconds.

When 8 stations that can be received are put in the memory Auto Memory Entry closes.



When Auto Memory Entry is done with the FM2 band, the RDS stations preset in the FM1 band aren't put in the memory. Likewise, when it is done with the FM3 band, RDS stations preset in FM1 or FM2 aren't put in the memory. 8 stations can be put in the memory on each band.

Preset Tuning

Calling up the stations in the memory.

1 Select the band

Press the [FM] or [AM] button.

2 Call up the station

Press the [#1/5] — [#4/8] button.

The stations are called up as shown below.

Press button	Call up number
[#1/5]	No.1 ↔ No.5
[#2/6]	No.2 ↔ No.6
[#3/7]	No.3 ↔ No.7
[#4/8]	No.4 ↔ No.8



Each time the button is pressed, the called up station switches cyclically.

SNPP (Station Name Preset Play) (Function of Remote)

Selecting the stations to display SNPS.

1 Enter SNPP mode

Press the [DNPP] button on the remote.

When "SNPP" is displayed, SNPS displays the FM1, FM2, FM3 and AM bands in order.



If the station has no name, the frequency or program service name is displayed instead.

Changing the display order

Press the [◀◀] or [▶▶] button.

Changing the displayed band

Press the [FM] or [AM] button.

2 If the station you want is displayed

Press the [OK] button on the remote.

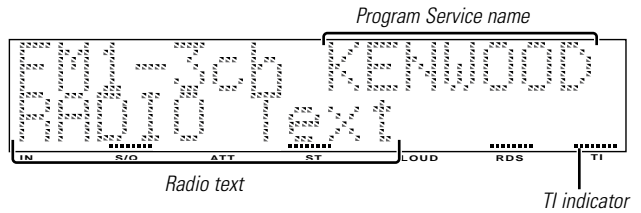
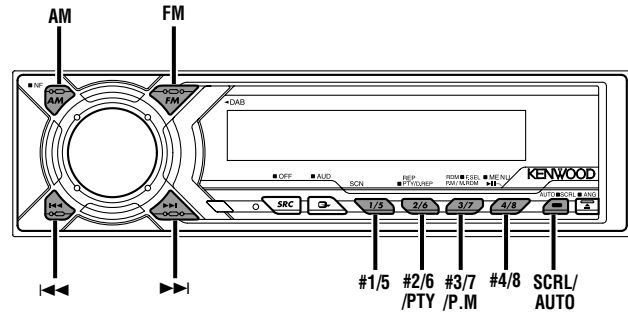
The displayed SNPS station is received.

Canceling the SNPP mode

Press the [DNPP] button on the remote.

RDS features

Function of the KDC-X859



RDS features

Function of the KDC-X859

Radio Text Scroll

Scrolling the displayed radio text.

Press the [SCRL] button for at least 1 second.

PTY (Program Type)

Selecting the Program Type and searching for a station.

1 Enter PTY mode

Press the [PTY] button for at least 1 second.

"PTY Select" is displayed.



This function can't be used during a traffic bulletin or AM reception.

2 Select the Program Type

Press the [FM] or [AM] button.

Each time the button is pressed the Program Type switches as shown below.

No.	Program Type	Display
1.	Speech	"All Speech"
2.	Music	"All Music"
3.	News	"News"
4.	Information	"Information"
5.	Sports	"Sports"
6.	Talk	"Talk"
7.	Rock	"Rock"
8.	Classic Rock	"Classic Rock"
9.	Adult Hits	"Adult Hits"
10.	Soft Rock	"Soft Rock"
11.	Top 40	"Top 40"
12.	Country	"Country"

13.	Oldies	"Oldies"
14.	Soft	"Soft"
15.	Nostalgia	"Nostalgia"
16.	Jazz	"Jazz"
17.	Classical	"Classical"
18.	R & B	"Rhythm & Blues"
19.	Soft R & B	"Soft R & B"
20.	Language	"Foreign Language"
21.	Religious Music	"Religious Music"
22.	Religious Talk	"Religious Talk"
23.	Personality	"Personality"
24.	Public	"Public"
25.	College	"College"
26.	Weather	"Weather"



- Speech and Music include the Program types shown below.
Speech: No.3 — 6, 20, 22 — 26
Music: No.7 — 19, 21

- The Program Type can be put in the memory on the [#1/5] — [#4/8] buttons and called up quickly. Refer to <Program Type preset> (page 23).

3 Search for the selected Program Type station

Press the [◀◀] or [▶▶] button.

When you want to search for other stations press the [◀◀] or [▶▶] button again.



- When the selected Program Type isn't found, "NO PTY" is displayed. Select another Program Type.

4 Exit PTY mode

Press the [PTY] button for at least 1 second.

Confirming the Program Type

Press the [AUTO] button.

The Program Type is displayed for 5 seconds.

Program Type preset

Putting the Program Type in the Preset button memory and calling it up quickly.

Presetting the Program Type

1 Select the Program Type to preset

Refer to <PTY (Program Type)> (page 22).

2 Enter Memory mode

Press the [P.M] button for at least 1 second.
"PTY Memory" is displayed.

3 Select the preset number

Press the [FM] or [AM] button.

4 Preset the Program Type

Press the [P.M] button for at least 2 seconds.
The preset number display blinks 1 time.

5 Exit Memory mode

Press the [P.M] button.

Calling up the preset Program Type

1 Enter PTY mode

Refer to <PTY (Program Type)> (page 22).

2 Call up the Program Type

Press the [#1/5] — [#4/8] button.
They are called up as shown below.

Press button	Call up number
[#1/5]	No.1 ↔ No.5
[#2/6]	No.2 ↔ No.6
[#3/7]	No.3 ↔ No.7
[#4/8]	No.4 ↔ No.8



Each time the button is pressed, the called up Program Type switches cyclically.

Registration of a station as a PTY

Registering a Program Type for stations with no PTY data.

1 Receive the station you want to register

2 Select the Program Type to register

Refer to <PTY(Program Type)> (page 22).

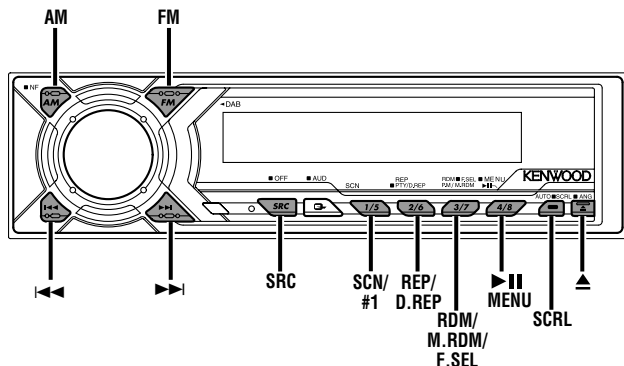
3 Register the Program Type

Press the [AUTO] button for at least 1 second.

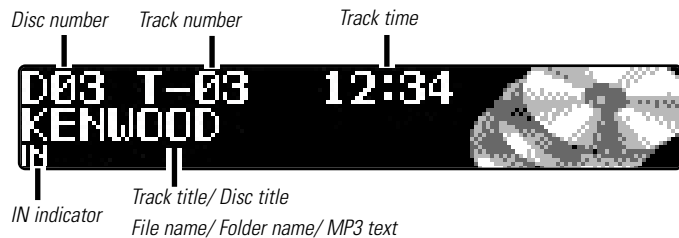
4 Exit PTY mode

Press the [PTY] button for at least 1 second.

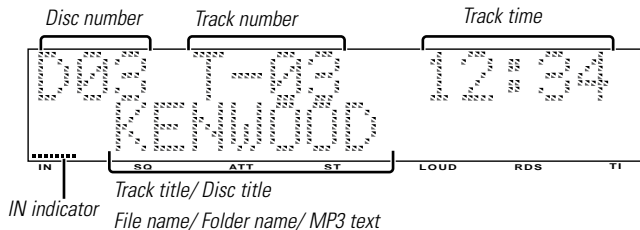
CD/MP3/External disc control features



KDC-MP919/ KDC-X759



KDC-X859



Playing CD & MP3

When there is no disc inserted

1 Slide open the faceplate

Press the [▲] button.

2 Insert a disc.

⚠ When the faceplate has been slid open, it might interfere with the shift lever or something else. If this happens, pay attention to safety and move the shift lever or take an appropriate action, then operate the unit.

- The sound will be temporarily muted while the faceplate is moving.
- The models that can play MP3 are shown below.
KDC- X859/ MP919
- When a disc is inserted the "IN" indicator is ON.

When a disc is inserted

Press the [SRC] button.

Select the "COMPACT DISC"/"CD" display.

Pause and play

Press the [▶||] button.

Each time the button is pressed the song pauses or plays.

Eject the disc

1 Eject the disc

Press the [▲] button.

2 Close the faceplate

Press the [▲] button.

⚠ 3 in. (8cm) disc can't be played. Using an adapter and inserting them into this unit can cause damage.

• The MP3 media that this unit can play are CD-ROM, CD-R, and CD-RW.

The medium formats must be ISO 9660 Level 1, Level 2, Joliet, or Romeo. The methods and precautions to be followed for writing MP3 data are covered in <Notes on playing MP3> (page 6). Check that section before creating your MP3 media.

Playing External Disc

Playing discs set in the optional accessory disc player connected to this unit.

Press the [SRC] button.

Select the display for the disc player you want.

Display examples:

Display	Disc player
"COMPACT DISC2"/"CD2"	CD player
"DISC-CH"/"DISC"	CD changer/ MD changer

Pause and play

Press the [▶||] button.

Each time the button is pressed it pauses and plays.



The functions that can be used and the information that can be displayed will differ depending on the external disc players being connected.

Fast Forwarding and Reversing

Fast Forwarding

Hold down on the [▶▶] button.

Release your finger to play the disc at that point.

Reversing

Hold down on the [◀◀] button.

Release your finger to play the disc at that point.

Track Search

Searching for a song on the disc or in the MP3 folder.

Press the [◀◀] or [▶▶] button.

Album Search

Selecting the disc set in the Disc changer or the folder recorded on the MP3 media.

Press the [FM] or [AM] button.

Direct Track Search (Function of remote)

Doing Track Search by entering the track number.

1 Enter the track number

Press the number buttons on the remote.

2 Do Track Search

Press the [◀◀] or [▶▶] button.

Canceling Direct Track Search

Press the [▶||] button.

CD/MP3/External disc control features

Direct Album Search (Function of disc changers with remote)

Doing Disc Search by entering the disc number.

1 Enter the disc number

Press the number buttons on the remote.

2 Do Album Search

Press the [FM] or [AM] button.

Canceling Direct Album Search

Press the [▶||] button.

Track Repeat (Function of CD/MD)

Replaying the song you're listening to.

Press the [REP] button.

Each time the button is pressed the Track Repeat turns ON or OFF.

When it's ON, "Track Repeat ON"/"Repeat ON" is displayed.

Album Repeat (Function of CD/MD)

Replaying the disc in the Disc changer you're listening to.

Press the [D.REP] button for at least 1 second.

Each time the button is pressed Album Repeat turns ON or OFF.

When it's ON, the "Disc Repeat ON" is displayed.

Function of the KDC-X859/KDC-MP919

Track/Album Repeat (Function of MP3)

Replaying MP3 file or folder you're listening to.

Press the [REP] button.

Each time the button is pressed the Repeat Play switches as shown below.

Repeat play	Display
Track Repeat	"File Repeat ON"
Album Repeat	"Folder Repeat ON"
OFF	"Repeat OFF"

Track Scan

Playing the first part of each song on the disc or MP3 folder you are listening to and searching for the song you want to listen to.

1 Start Track Scan

Press the [SCN] button.

"Scan ON" is displayed.

2 Release it when the song you want to listen to is played

Press the [SCN] button.

Random Play

Play all the songs on the disc or MP3 folder in random order.

Press the [RDM] button.

Each time the button is pressed Random Play turns ON or OFF.

When it's ON, "Random ON" is displayed.

When the [▶▶] button is pressed, the next song select starts.

Magazine Random Play (Function of disc changer)

Play the songs on all the discs in the disc changer in random order.

Press the [M.RDM] button for at least 1 second.
Each time the button is pressed the Magazine Random Play turns ON or OFF.

When it's ON, "M.Random ON" is displayed.

When the [▶▶] button is pressed, the next song select starts.

Function of the KDC-X859/KDC-MP919

Album Select (Function of MP3)

Quickly selecting the folder you want to listen to.

1 Enter Album Select mode

Press the [F.SEL] button for at least 1 second.
"Select Mode" is displayed.
During Select mode the folder information is displayed as shown below.

KDC-MP919

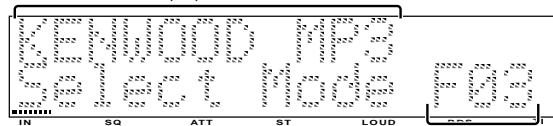
Folder name display



Folder number display

KDC-X859

Folder name display



Folder number display

- Folder name display: Displays the current folder name.
- Folder number display: Displays the number in the folder belonging to the currently selected folder.

2 Select the folder level

Press the [FM] or [AM] button.

With the [FM] button you move 1 level down and with the [AM] button 1 level up.

Selecting a folder in the same level

Press the [◀◀] or [▶▶] button.

With the [◀◀] button you move to the previous folder, and with the [▶▶] button to the next folder.

Returning to the top level

Press the [#1] button.

3 Decide the folder to play

Press the [▶||] button.

The Album Select mode releases, and the MP3 in the folder being displayed is played.

- The methods for moving to other folders in the album select mode are different from those in the album search mode.
See <Notes on playing MP3> (page 6) for details.

Canceling the Album Select mode

Press the [F.SEL] button.

CD/MP3/External disc control features

Text/Title Scroll

Scrolling the displayed CD text, MP3 text, or MD title.

Press the [SCRL] button for at least 1 second.

DNPP (Disc Name Preset Play) (Function of disc changers with remote)

Selecting the CD displayed in the DNPS of the CDs set in the Disc changer.

1 Enter DNPP mode

Press the [DNPP] button on the remote.

When "DNPP" is displayed the DNPS display in order.

Forward / Reverse display

Press the [DISC-] or [DISC+] button.

2 When the disc you want is displayed

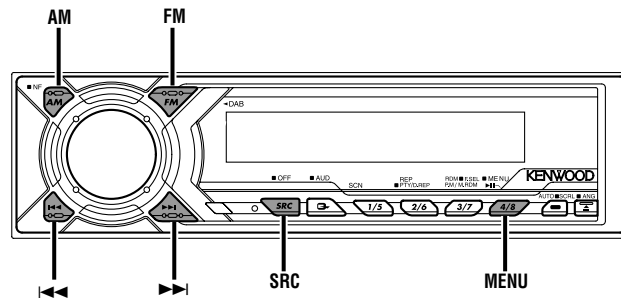
Press the [OK] button on the remote.

The disc being displayed is played.

Canceling the DNPP mode

Press the [DNPP] button on the remote.

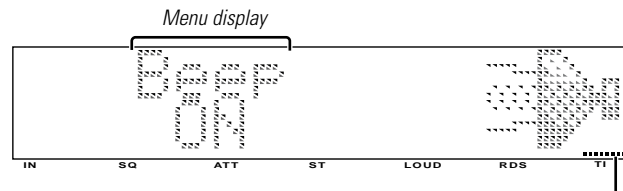
Menu system



KDC-MP919/ KDC-X759



KDC-X859



TI indicator

Menu System

Setting during operation beep sound etc. functions.
The Menu system basic operation method is explained here. The reference for the Menu items and their setting content is after this operation explanation.

1 Enter Menu mode

Press the [MENU] button for at least 1 second.

"MENU" is displayed.

2 Select the menu item

Press the [FM] or [AM] button.

Example: When you want to set the beep sound select the "Beep" display.

3 Set the menu item

Press the [◀◀] or [▶▶] button.

Example: When "Beep" is selected, each time the button is pressed it switches "Beep ON" or "Beep OFF". Select 1 of them as the setting.

You can continue by returning to step 2 and setting other items.

4 Exit Menu mode

Press the [MENU] button.



When other items that are applicable to the basic operation method above are displayed afterwards their setting content chart is entered. (Normally the uppermost setting in the chart is the original setting.)

Also, the explanation for items that aren't applicable (<Manual Clock Adjustment>etc.) are entered step by step.

Menu system

Security Code

Because authorization by the Security Code is required when it's removed from the vehicle, personalizing this unit is by using the Security Code is a help in preventing theft.



When the Security Code function is activated, the code can't be changed and the function can't be released.

Note, the Security Code can be set as the 4 digit number of your choice.

1 Enter Standby

Press the [SRC] button.

Select the "ALL OFF" display.

2 Enter Menu mode

Press the [MENU] button for at least 1 second.

When "MENU" is displayed, "Security" is displayed.

3 Enter Security Code mode

Press the [◀◀] or [▶▶] button for at least 1 second.

When "ENTER" is displayed, "CODE" is displayed.

4 Select the digits to enter

Press the [◀◀] or [▶▶] button.

5 Select the Security Code numbers

Press the [FM] or [AM] button.

6 Repeat steps 4 and 5, and complete the Security Code.

7 Confirm the Security Code

Press the [▶▶] button for at least 3 seconds.

When "RE-ENTER" is displayed, "CODE" is displayed.

8 Do the step 4 through 7 operation, and reenter the Security Code.

"APPROVED" is displayed.

The Security Code function activates.



When the wrong Code is entered in steps 4 through 6, repeat from step 4.

Press the Reset button and when it's removed from the battery power source

1 Turn the power ON.

2 Do the step 4 through 7 operation, and enter the Security Code.

"APPROVED" is displayed.

The unit can be used.

Touch Sensor Tone

Setting the operation check sound (beep sound) ON/OFF.

Display	Setting
"Beep ON"	Beep is heard.
"Beep OFF"	Beep canceled.

Manual Clock Adjustment



This adjustment can be done when the <Synchronize Clock> (page 31) is set as OFF. (KDC-X859)

1 Select Clock Adjustment mode

Press the [FM] or [AM] button.

Select the "Clock Adjust" display.

2 Enter Clock Adjust mode

Press the [◀◀] or [▶▶] button for at least 1 second.

The clock display blinks.

3 Adjust the hours

Press the [FM] or [AM] button.

Adjust the minutes

Press the [◀◀] or [▶▶] button.

4 Exit Clock adjustment mode

Press the [MENU] button.

Date Adjustment

1 Select Date Adjust mode

Press the [FM] or [AM] button.

Select the "Date Adjust" display.

2 Enter Date Adjust mode

Press the [◀◀] or [▶▶] button for at least 1 second.

The date display blinks.

3 Selecting the item (day, month, or year) to adjust

Press the [◀◀] or [▶▶] button.

The item that is blinking is item that can be adjusted.

4 Adjust each item

Press the [FM] or [AM] button.

5 Repeat step 3 and 4 operation and adjust the date.

6 Exit Date adjustment mode

Press the [MENU] button.

Date Mode

Setting the date format.

1 Select Date Mode

Press the [FM] or [AM] button.

Select the "Date Mode" display.

2 Select the date format

Press the [◀◀] or [▶▶] button.

Function of the KDC-X859

Synchronize Clock

Synchronizing the RDS station time data and this unit's clock.

<u>Display</u>	<u>Setting</u>
"SYNC OFF"	Adjust the time manually.
"SYNC ON"	Synchronizes the time.



It takes 3 to 4 minutes to synchronize the clock.

Selectable Illumination

Selecting the button illumination color as green or red.

<u>Display</u>	<u>Setting</u>
"Button Color Green"/ "Button Green"	The illumination color is green.
"Button Color Red"/ "Button Red"	The illumination color is red.

Menu system

Switching Display Type

Setting the Display type.

Display	Setting
"Display Type A"	Display type divided into Upper and Lower parts.
"Display Type B"	Display type that uses mainly the display upper part.
"Display Type C"	Full screen display type.



- "Display Type C" can't be selected in Standby.
- The display of each part can be changed.
 - Switching Upper and Lower Part Display: (page 14)
 - Switching Full Screen Display: (page 13)
 - Icon/Spectrum analyzer Select: (page 32)

Switching Upper and Lower Part Display

For the setting method refer to the <Switching Upper and Lower Part Display> (page 14)/<Switching the Standby Display> (page 13).

Function of the KDC-MP919/KDC-X759

Icon/Spectrum analyzer Select

This function permits switching of the Icon/Spectrum analyzer display.

1 Select Icon/Spectrum analyzer Select mode

Press the [FM] or [AM] button.
Select the "Icon/Speana Select" display.

2 Select the Icon/Spectrum analyzer

Press the [◀◀] or [▶▶] button.

Function of the KDC-MP919/KDC-X759

Font Type Select

Selecting the display font.

1 Select Font Type Select Mode

Press the [FM] or [AM] button.
Select the "Font Select" display.

2 Select the font

Press the [◀◀] or [▶▶] button.

Function of the KDC-X859

Font Color Select

Selecting the display font color.

1 Select Font Color Select Mode

Press the [FM] or [AM] button.
Select the "Font Col Select" display.

2 Select the color

Press the [◀◀] or [▶▶] button.

Dimmer

Dimming this unit's display automatically when the vehicle light switch is turned ON.

Display	Setting
"Dimmer ON"	The display dims.
"Dimmer OFF"	The display doesn't dim.

OFF Wait Time Setting

Setting the time until the faceplate hide operation starts after the power is turned OFF.

The faceplate can be removed only during the set time period.

Display and Setting

"Off Wait 0sec"	
⋮	
"Off Wait 3sec" (Original setting)	
⋮	
"Off Wait 25sec"	

System Q

Setting display/don't display for the System Q factors (Bass center frequency, Bass Q factor, Bass extend, Middle center frequency, Middle Q factor, and Treble center frequency) in Audio control.

Display	Setting
"System Q ON"	The System Q factors are displayed.
"System Q OFF"	The System Q factors aren't displayed.

Built-in Amp Mute Setting <In Standby mode>

Toggles ON or OFF the mute control on the built-in amplifier.

Turning ON this control enhances the preout quality.

Display	Setting
"Builtin AMP Mute OFF"/ "AMP Mute OFF"	The built-in amplifier activates.
"Builtin AMP Mute ON"/ "AMP Mute ON"	The built-in amplifier deactivates.

Dual Zone System <In Auxiliary input source>

Makes the sound different for the front channel and rear channel.

Display	Setting
"Zone 2 OFF"	Both the front and rear are Auxiliary input sound.
"Zone 2 ON"	The front is this unit's internal source, and the rear is Auxiliary input sound.



- When the Dual Zone System is ON, there is no rear channel audio control or other effect.
- When the Dual Zone System is being used the front channel can't be used with External disc source.
- When you set the Dual zone system to ON while the non-fading preout is switched ON, the sound of the non-fading preout isn't output.

Menu system

Function of the KDC-X859/KDC-X759

B.M.S. (Bass Management System)

Adjust the bass boost level of the external amplifier using the main unit.

Display	Setting
"AMP Bass Flat"	Bass boost level is flat.
"AMP Bass +6"	Bass boost level is low (+6dB).
"AMP Bass +12"	Bass boost level is mid (+12dB).
"AMP Bass +18"	Bass boost level is high (+18dB).



- Refer to the catalog or instruction manual for power amplifiers that can be controlled from this unit.
- For amplifiers there are the model that can be set from Flat to +18 dB, and the model that can be set from Flat to +12 dB. When an amplifier that can only be set to +12 is connected to the unit, "AMP Bass +18" won't work correctly even if it's selected.

Function of the KDC-X859/KDC-X759

B.M.S. Frequency Offset

Setting the central frequency boosted by B.M.S.

Display	Setting
"AMP Freq Normal"	Boost with the normal central frequency
"AMP Freq Low"	Drop the normal central frequency 20%

Auto Memory Entry <In Tuner mode>

For the operation method refer to <Auto Memory Entry> (page 20).

Function of the KDC-X859

Traffic Information

Switching to traffic information automatically when a traffic bulletin starts even when you aren't listening to the radio.

Display	Setting
"TI OFF"	The Traffic Information function is OFF.
"TI ON"	The Traffic Information function is ON.

When it's ON, the "TI" indicator is ON.

When a traffic information station isn't being received the "TI" indicator blinks.

When a traffic bulletin starts, "Traffic Info" is displayed it and it switches to traffic information.



- During reception of a AM station when the Traffic Information function is turned on ON it switches to a FM station.
- During reception of traffic information the adjusted volume is automatically remembered, and the next time it switches to traffic information it's automatically the remembered volume.

Receiving other traffic information stations (In tuner source)

Press the [◀◀] or [▶▶] button.




Traffic information station switching can be done when listening to the radio.

CRSC (Clean Reception System Circuit)

<In FM reception>

Temporarily have reception switched from stereo to mono to reduce multi-path noise when listening to the FM station.

Display	Setting
"CRSC ON"	The CRSC is ON.
"CRSC OFF"	The CRSC is OFF.

 Strong electrical fields (such as from power lines) may cause unstable sound quality when CRSC is turned ON. In such a situation, turn it OFF.

Auxiliary Input Display Setting & Station/Disc Naming

For selecting the display when switched to Auxiliary input source. For the Station/Disc Naming refer to the <Station/Disc Naming> (page 16).

1 Select Auxiliary input source

Press the [SRC] button.
Select the "AUX" display.

2 Enter Menu mode

Press the [MENU] button for at least 1 second.
"MENU" is displayed.

3 Select Auxiliary input display setting mode

Press the [FM] or [AM] button.
Select the "Name Set" display.

4 Enter Auxiliary input display setting mode

Press the [◀◀] or [▶▶] button for at least 1 second.
The presently selected Auxiliary input display is displayed.

5 Select the Auxiliary input display


Press the [◀◀] or [▶▶] button.

Each time the button is pressed the display switches as shown below.

- "AUX"
- "TV"
- "VCP"
- "GAME"
- "PORTABLE"
- "DVD"

6 Exit Auxiliary input display setting mode


Press the [MENU] button.

 When operation stops for 10 seconds, the name at that time is selected, and Auxiliary input display setting mode closes.

Text Scroll

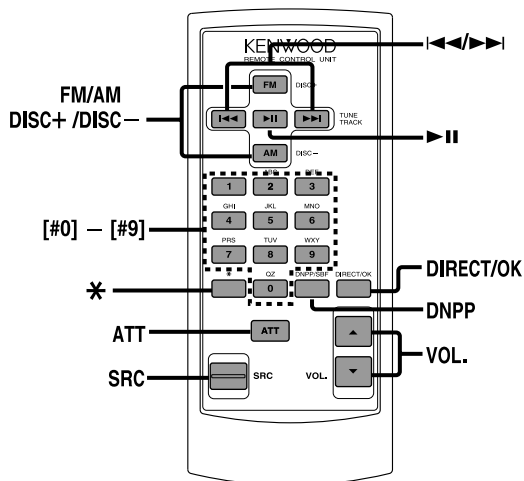
Setting the displayed text scroll.

Display	Setting
"Scroll Auto"	Repeats scroll.
"Scroll Manual"	Scrolls when the display changes.

 The text scrolled is shown below.

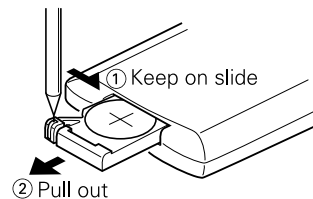
- CD text
- Folder name/ File name/ MP3 text
- MD title
- Radio text

Basic Operations of remote



Loading and Replacing the battery

Use one lithium battery (CR2025).
Insert the batteries with the + and - poles aligned properly, following the illustration inside the case.



⚠ WARNING

Store unused batteries out of the reach of children. Contact a doctor immediately if the battery is accidentally swallowed.

⚠ Do not set the remote on hot places such as above the dashboard.

Basic operations

[VOL.] buttons

Adjusting the volume.

[SRC] button

Each time the button is pressed the source switches.
For the source switching order refer to <Selecting the Source> (page 10).

[ATT] button

Turning the volume down quickly.
When it is pressed again it returns to the previous level.

[*] button

Adjusting the Faceplate Angle.

In Tuner source

[FM]/ [AM] buttons

Select the band.

Each time the [FM] button is pressed it switches between the FM1, FM2, and FM3 bands.

[◀◀]/ [▶▶] buttons

Tune up or down band.

[#0] — [#9] buttons

Press buttons [#1] — [#8] to recall preset stations.

[DIRECT] button

Enters and cancels the <Direct Access Tuning> (page 19) mode.

[▶ II] button

Enters and cancels the <PTY (Program Type)> (page 22) mode.

[DNPP]/ [OK] button

Enters and cancels the <SNPP (Station Name Preset Play)> (page 20) mode.

[DNPP]/ [OK] button

Enters and cancels the <DNPP (Disc Name Preset Play)> (page 28) mode.

[#0] — [#9] buttons

When in <Direct Track Search> (page 25) and <Direct Album Search> (page 26), enter the track/disc number.

In Disc source

[◀◀]/ [▶▶] buttons

Doing track forward and backward.

[DISC+]/ [DISC-] buttons

Doing album forward and backward.

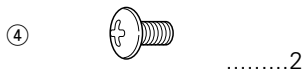
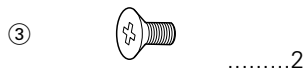
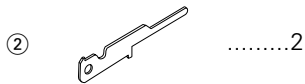
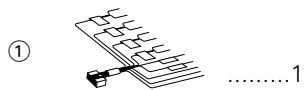
[▶ II] button

Each time the button is pressed the song pauses and plays.

Accessories

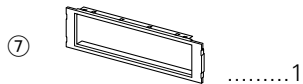
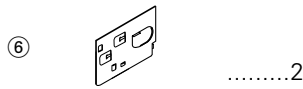
External view

..... Number of items



External view

..... Number of items



Do not use any accessories other than those provided with your unit. If you use other accessories, you may damage the unit.

Installation Procedure

1. To prevent a short circuit, remove the key from the ignition and disconnect the \ominus battery.
2. Make the proper input and output wire connections for each unit.
3. Connect the speaker wires of the wiring harness.
4. Connect the wiring harness wires in the following order: ground, battery, ignition.
5. Connect the wiring harness connector to the unit.
6. Install the unit in your car.
7. Reconnect the \ominus battery.

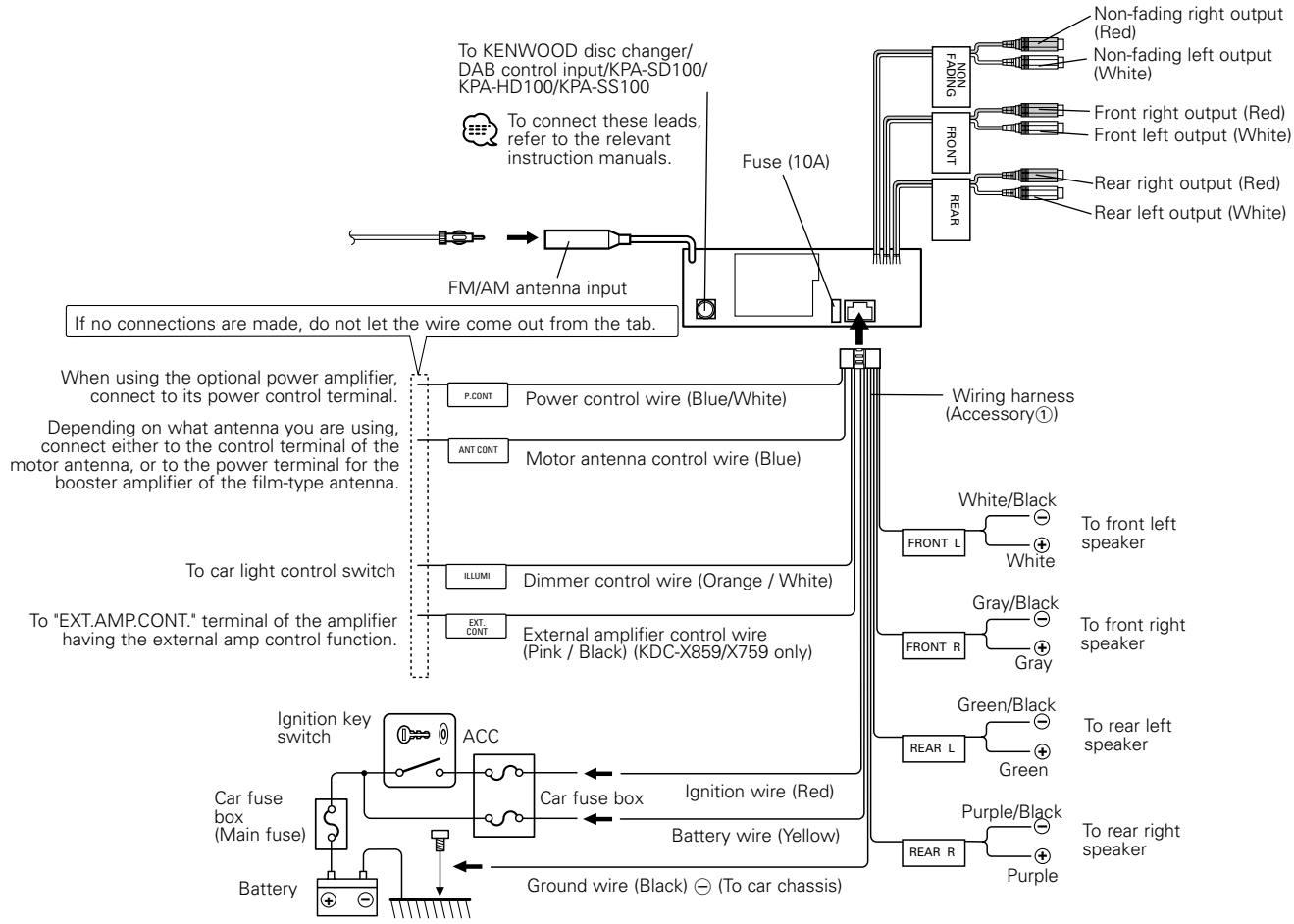
▲WARNING

If you connect the ignition wire (red) and the battery wire (yellow) to the car chassis (ground), you may cause a short circuit, that in turn may start a fire. Always connect those wires to the power source running through the fuse box.

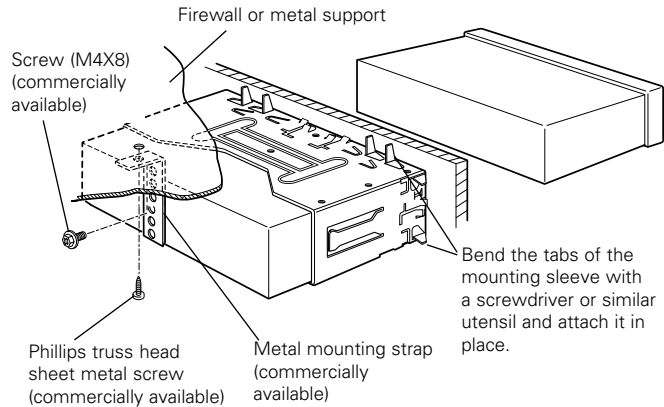
▲CAUTION

- If your car's ignition does not have an ACC position, connect the ignition wires to a power source that can be turned on and off with the ignition key. If you connect the ignition wire to a power source with a constant voltage supply, as with battery wires, the battery may die.
- If the console has a lid, make sure to install the unit so that the faceplate will not hit the lid when closing and opening.
- If the fuse blows, first make sure the wires aren't touching to cause a short circuit, then replace the old fuse with one with the same rating.
- Insulate unconnected wires with vinyl tape or other similar material. To prevent a short circuit, do not remove the caps on the ends of the unconnected wires or the terminals.
- Connect the speaker wires correctly to the terminals to which they correspond. The unit may be damaged or fail to work if you share the \ominus wires or ground them to any metal part in the car.
- When only two speakers are being connected to the system, connect the connectors either to both the front output terminals or to both the rear output terminals (do not mix front and rear). For example, if you connect the \oplus connector of the left speaker to a front output terminal, do not connect the \ominus connector to a rear output terminal.
- After the unit is installed, check whether the brake lamps, blinkers, wipers, etc. on the car are working properly.
- Mount the unit so that the mounting angle is 30° or less.

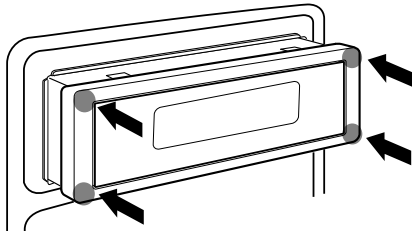
Connecting Wires to Terminals



Installation (non-Japanese cars)

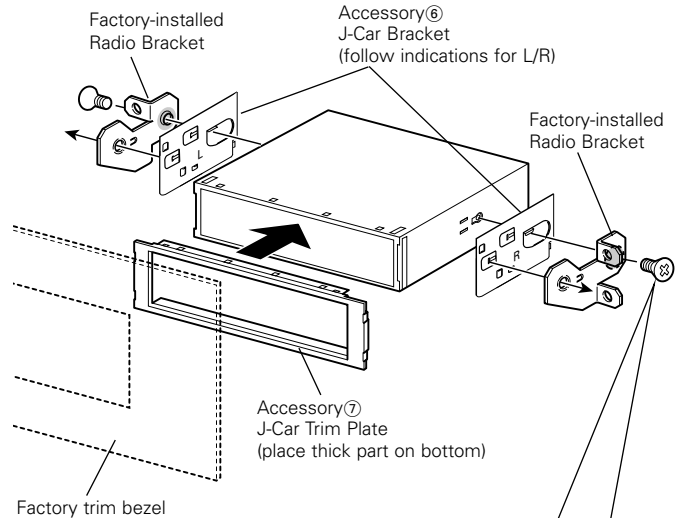


Make sure that the unit is installed securely in place. If the unit is unstable, it may malfunction (for example, the sound may skip).



! To attach this unit, make sure the front of the control panel faces you and fit it into the mounting sleeve by pressing the four corners of the hard rubber frame at the same time. Do not apply strong pressure to other sections than the corners; otherwise troubles such as the impossibility of opening or closing the panel may result.

Installation (Japanese cars)



For Toyota Car

After aligning the factory-installed radio bracket, tighten the screws.



For Nissan Car

After aligning the J-Car bracket with the factory-installed radio bracket, tighten the screws.

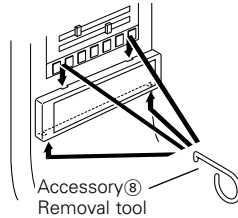


! Damage to the unit will result from using screws other than those provided.

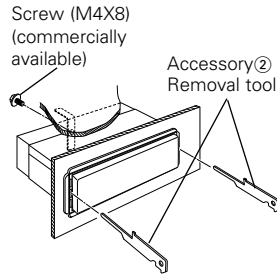
A pair of J-Car Brackets (Accessory ⑥) are not used when fitting in a Toyota car.

Removing the Unit

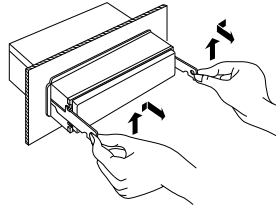
- 1 Insert the removal tool into the indentations in the hard rubber frame, and pull it gently until the lock is released.




- 2 Remove the screw (M4X8) on the back panel.
- 3 Insert the two removal tools deeply into the slots on each side, as shown.

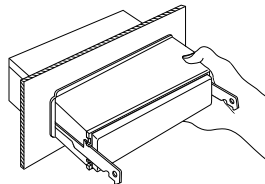


- 4 Push upward the removal tool toward the top, and pull out the unit halfway while pressing towards the inside.



-  Be careful to avoid injury from the catch pins on the removal tool.

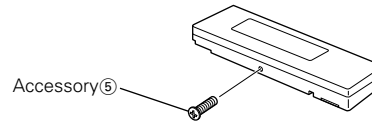
- 5 Pull the unit all the way out with your hands, being careful not to drop it.




Locking the faceplate to the unit

If you want to lock the faceplate to the unit so that it does not fall off, follow the directions below.

- 1 Refer to the function "Removing the faceplate" (page 17) and remove the faceplate.
- 2 Insert the provided screw into the hole at the center of the bottom side of the faceplate which you have removed from the unit.



- 3 Refer to the section "Removing the faceplate" (page 17) and then reattaching the faceplate.

-  Never insert the tapite screws (ø2 X 4 mm) in any other screw holes than the one specified. If you insert it in another hole, it will contract and may cause damage to the mechanical parts inside the unit.

Troubleshooting Guide

What might seem to be a malfunction in your unit may just be the result of slight misoperation or miswiring. Before calling service, first check the following table for possible problems.

General

? The power does not turn ON.

- ✓ The fuse has blown.
 - ☞ After checking for short circuits in the wires, replace the fuse with one with the same rating.
- ✓ No ACC position on vehicle ignition.
 - ☞ Connect the same wire to the ignition as the battery wire.

? Nothing happens when the buttons are pressed.

- ✓ The computer chip in the unit is not functioning normally.
 - ☞ Press the reset button on the unit (page 5).

? There's a source you can't switch.

- ✓ There's no CD inserted.
 - ☞ Set the media you want to listen to. If there's no media in this unit, you can't switch to each source.

? The faceplate does not open or close.

- ✓ The faceplate is incorrectly attached.
 - ☞ Reattach the faceplate correctly, See the section on <Removing the Faceplate>(page 17).

? The memory is erased when the ignition is turned OFF.

- ✓ The battery wire has not been connected to the proper terminal.
 - ☞ Connect the wire correctly, referring to the section on <Connecting Wires to Terminals>.
- ✓ The ignition and battery wire are incorrectly connected.
 - ☞ Connect the wire correctly, referring to the section on <Connecting Wires to Terminals>.

? There's no loudness effect.

- ✓ You're using Non-fading preout.
 - ☞ Loudness has no effect in Non-fading preout.

? The Bass center frequency, Bass quality factor, Bass extend, Middle center frequency, Middle quality factor, and Treble center frequency can't be adjusted.

- ✓ The <System Q> (page 33) is set OFF.
 - ☞ Set it ON.

? No sound can be heard, or the volume is low.

- ✓ The fader or balance settings are set all the way to one side.
 - ☞ Center the fader and balance settings.
- ✓ The input/output wires or wiring harness are connected incorrectly.
 - ☞ Reconnect the input/output wires or the wiring harness correctly. See the section on <Connecting Wires to Terminals>.
- ✓ The values of Volume offset are low.
 - ☞ Increase the values of Volume offset. (page 11)
- ✓ The <Built-in Amp Mute Setting> (page 33) is ON.
 - ☞ Turn it OFF.

? The sound quality is poor or distorted.

- ✓ One of the speaker wires is being pinched by a screw in the car.
 - ☞ Check the speaker wiring.
- ✓ The speakers are not wired correctly.
 - ☞ Reconnect the speaker wires so that each output terminal is connected to a different speaker.

? Non-fading output, Non-fading Low Pass Filter and Non-fading setting can't be done.

- ✓ The <Non-fading output> (page 16) is OFF.
 - ☞ Turn it ON.
- ✓ The <Dual zone system> (page 33) is ON.
 - ☞ Turn it OFF.

? There's no Front High Pass Filter and Rear High Pass Filter effect.

- ✓ The Non-fading preout is being used.
 - ☞ There's no effect in Non-fading preout.

? The Security Code item isn't displayed in the Menu System.

- ✓ The Security Code function is already activated.
 - ☞ When the Security Code function is activated it isn't displayed in the menu items.

? The Touch Sensor Tone doesn't sound.

- ✓ The preout jack is being used.
 - ☞ The Touch Sensor Tone can't be output from the preout jack.

Troubleshooting Guide

? Even though Synchronize Clock is ON, the clock can't be adjusted.

- ✓ The received RDS station isn't sending time data.
 - ☞ Receive another RDS station.
-

? Even though the vehicle light switch is turned ON, the unit's display won't dim.

- ✓ The dimmer wire isn't connected.
 - ☞ Connect the dimmer wire correctly.
-

? The Dimmer function doesn't work.

- ✓ The Dimmer wire isn't connected correctly.
 - ☞ Check the Dimmer wire connection.
-

Tuner source

? Radio reception is poor.

- ✓ The car antenna is not extended.
 - ☞ Pull the antenna out all the way.
 - ✓ The antenna control wire is not connected.
 - ☞ Connect the wire correctly, referring to the section on <Connecting Wires to Terminals>.
-

? The desired frequency can't be entered with the Direct Access Tuning.

- ✓ A station that can't be received is being entered.
 - ☞ Enter a station that can be received.
 - ✓ You're trying to enter a frequency with a 0.01 MHz unit.
 - ☞ What can be designated in the FM band is to 0.1 MHz.
-

Disc source

? "AUX" is displayed without achieving External disc control mode.

- ✓ O-N switch is set to "O" side.
 - ☞ Set the switch to "N" side.
 - ✓ Unsupported disc changer is connected.
 - ☞ Connect the supported disc changer. (page 4)
-

? The specified disc does not play, but another one plays instead.

- ✓ The specified CD is quite dirty.
 - ☞ Clean the CD.
 - ✓ The CD is upside-down.
 - ☞ Load the CD with the labeled side up.
 - ✓ The disc is loaded in a different slot from that specified.
 - ☞ Eject the disc magazine and check the number for the specified disc.
-

- ✓ The disc is severely scratched.
 - ☞ Try another disc instead.
-

? The specified track will not play.

- ✓ Random play or magazine random play has been selected.
 - ☞ Turn off random play or magazine random play.
-

? Track repeat, disc repeat, track scan, random play, and magazine random play start by themselves.

- ✓ The setting is not canceled.
 - ☞ The settings for these functions remain on until the setting to off or the disc ejected, even if the power is turned off or the source changed.
-

? The specified track will not play.

- ✓ Random play has been selected.
 - ☞ Turn off random play.
-

? Cannot play CD-R or CD-RW.

- ✓ Finalization processing is not being conducted for CD-R/CD-RW.
 - ☞ Conduct finalization processing with CD recorder.
 - ✓ A non-compatible CD changer is being used to play the CD-R/CD-RW.
 - ☞ Use a CD changer compatible with CD-R/CD-RW to play.
-

? A CD ejects as soon as it is loaded.

- ✓ The CD is upside-down.
 - ☞ Load the CD with the labeled side up.
 - ✓ The CD is quite dirty.
 - ☞ Clean the CD, referring to the section on <CD cleaning> (page 8).
-

? The disc won't insert.

- ✓ There's already another disc inserted.
 - ☞ Press the [▲] button and remove the disc.
-

? Direct Track Search and Direct Album Search can't be done.

- ✓ Another function is ON.
 - ☞ Turn Random Play or other functions OFF.
-

? Track Search can't be done.

- ✓ For the albums first or last song.
 - ☞ For each album, Track Search can't be done in the backward direction for the first song or in the forward direction for the last song.
-

Troubleshooting Guide

MP3 source

? Cannot play an MP3.

- ✓ Not conforming to ISO 9660 Level 1/2, Joliet, and Romeo.
 - ☞ Use a medium conforming to ISO 9660 Level 1/2, Joliet, and Romeo.
- ✓ The MP3 has no or invalid track name extension.
 - ☞ Add the ".MP3" extension to the MP3 track name.
- ✓ The media is scratched or dirty.
 - ☞ Clean the media, referring to the section on <CD cleaning> (page 8).

? Noise or no sound generated when an MP3 is played.

- ✓ The track has the MP3 track name extension while it is not an MP3.
 - ☞ Do not use the ".MP3" extension in non-MP3.

? Takes time before the unit starts playing MP3.

- ✓ The medium contains many albums, tracks, and hierarchical levels.
 - ☞ The unit checks all tracks on the loaded medium first. If the medium has many tracks recorded, it may take a long time for the unit before it starts playing MP3.

? Fails to play MP3 in the intended order.

- ✓ The MP3 tracks were not written by the CD writer in the order in which you wanted them to be played.
 - ☞ Depending on the CD writer, you may be able to set the order in which MP3 tracks are to be played by writing them onto a medium with their track names beginning with play sequence numbers such as "01" to "99".

? The sound skips when an MP3 is being played.

- ✓ The media is scratched or dirty.
 - ☞ Clean the media, referring to the section on <CD cleaning> (page 8).
- ✓ The recording condition is bad.
 - ☞ Record the media again or use another media.

? Can't display the ID3 tag information correctly.

- ✓ Record is not made in conformity with the ID 3 tag version1.x.
 - ☞ Record in conformity with the ID 3 tag version1.x.

? Can't enter Album Select mode.1

- ✓ There's no folder recorded in the MP3 media.
 - ☞ Use a media with levels.

? The songs in the selected folder aren't played in Album Select mode.

- ✓ There are no MP3 in the selected folder.
 - ☞ Make sure there's recorded content in the MP3 media.

? The MP3 track/album search takes time.

- ✓ Many tracks are recorded on the media.
 - ☞ When the media directory is complex, the track/album search can take time.

? The MP3 related text isn't displayed correctly.

- ✓ A character is entered that this unit can't display.
 - ☞ For the characters that can be used for MP3 text entry, refer to <Notes on playing MP3> (page 6).

? The MP3 track time isn't displayed correctly.

- ✓ ---
 - ☞ There are times when it isn't displayed correctly according to the MP3 recording conditions.

If the following situations, consult your nearest service center:

- Even though the disc changer is connected, the Disc Changer source is not ON, with "AUX" showing in the display during the Changer Mode.
- Even though no device (KCA-S210A, CA-C1AX, KDC-CPS87, KDC-CX87, KDC-CPS85, KDC-CX85, KDC-CPS82 or KDC-CX82) is connected, the Auxiliary input is entered when switching modes.

Troubleshooting Guide

The messages shown below display your systems condition.

Eject:	No disc magazine has been loaded in the changer. The disc magazine is not completely loaded. ⇨ Load the disc magazine properly. No CD in the unit. ⇨ Insert the CD.
No Disc:	No disc has been loaded in the disc magazine. ⇨ Load a disc into the disc magazine.
TOC Error:	The CD is quite dirty. The CD is upside-down. The CD is scratched a lot. ⇨ Clean the CD and load it correctly.
E-05:	The CD is upside-down. ⇨ Load the CD correctly.
Blank Disc:	Nothing has been recorded on the MD.
No Track Disc	No tracks are recorded on the MD, although it has a title.
No Music Data:	Media was played that doesn't have data recorded that the unit can play. ⇨ Use media that has data recorded that the unit can play.
No Panel	The faceplate of the slave unit being connected to this unit has been removed. ⇨ Replace it.
E-77:	The unit is malfunctioning for some reason. ⇨ Press the reset button on the unit. If the "E-77" code does not disappear, consult your nearest service center.
Mecha Error:	Something is wrong with the disc magazine. Or the unit is malfunctioning for some reason. ⇨ Check the disc magazine. And then press the reset button on the unit. If the "Mecha Error" code does not disappear, consult your nearest service center.

Hold Error:	The protective circuit in the unit activates when the temperature inside the automatic disc changer exceeds 60°C (140°F), stopping all operation. ⇨ Cool down the unit by opening the windows or turning on the air conditioner. As the temperature falls below 60°C (140°F), the disc will start playing again.
NO NAME:	Attempted to display DNPS during the CD play having no disc names preset.
NO TITLE:	Attempted to display the disc title or track title while the MD having no MD title is being played.
NO TEXT:	<ul style="list-style-type: none">• Attempted to display the disc text or track text while the CD having no CD text is being played.• Attempted to display text during reception of the station that isn't sending text data.• Attempted to display the ID3 tag while the MP3 having no ID3 tag is being played.
Waiting:	Radio text data is being received.
Load:	Discs are being exchanged in the Disc changer.
Reading:	The unit is reading the data on the disc.
NO ACCESS:	After setting it in the Disc Changer, DNPP was done without having it been played at least 1 time.
●●●●●● IN (Blink):	The CD player section is not operating properly. ⇨ Reinsert the CD. If the CD cannot be ejected or the display continues to flash even when the CD has been properly reinserted, please switch off the power and consult your nearest service center.
Unsupported File:	A MP3 is played with a format that this unit can't support. ⇨ ---
Protected File:	A copy-protected file is played. ⇨ ---

Specifications

Specifications subject to change without notice.

FM tuner section

Frequency range (200 kHz space)	87.9 MHz – 107.9 MHz
Usable sensitivity (S/N = 30dB)	9.3dBf (0.8 μ V/75 Ω)
Quieting Sensitivity (S/N = 50dB)	15.2dBf (1.6 μ V/75 Ω)
Frequency response (\pm 3.0 dB)	30 Hz – 15 kHz
Signal to Noise ratio (MONO)	70 dB
Selectivity (\pm 400 kHz)	\geq 80 dB
Stereo separation (1 kHz)	40 dB

AM tuner section

Frequency range (10 kHz space)	530 kHz – 1700 kHz
Usable sensitivity (S/N = 20dB)	28 dB μ (25 μ V)

CD player section

Laser diode	GaAlAs (λ =780 nm)
Digital filter (D/A)	8 Times Over Sampling
D/A Converter	1 Bit
Spindle speed	
(KDC-X859/ MP919)	1000 – 400 rpm (CLV 2times)
(KDC-X759)	500 – 200 rpm (CLV)
Wow & Flutter	Below Measurable Limit
Frequency response (\pm 1 dB)	10 Hz – 20 kHz
Total harmonic distortion (1 kHz)	0.01 %
Signal to Noise ratio (1 kHz)	105 dB
Dynamic range	93 dB
Channel separation	95 dB
MP3 decode (KDC-X859/ MP919)	
.....Compliant with MPEG-1.0/2.0/2.5 Audio Layer-3	

Audio section

Maximum output power	50 W x 4
Full Bandwidth Power (at less than 1% THD)	22 W x 4
Tone action	
Bass :	100 Hz \pm 10 dB
Middle :	1 kHz \pm 10 dB
Treble :	10 kHz \pm 10 dB
Preout level / Load (during disc play)	4500 mV/10 k Ω
Preout impedance	80 Ω

General

Operating voltage (11 – 16V allowable)	14.4 V
Current consumption	10 A
Installation Size (W x H x D)	182 x 53 x 162 mm
	7-3/16 x 2-1/16 x 6-3/8 inch
Weight	3.3 lbs (1.5 kg)

KENWOOD